



Part #040154  
**AFB(R) 10% Yb:YAG/  
Sapphire Disk**  
10 mm dia. X 0.66 mm T

## Specifications

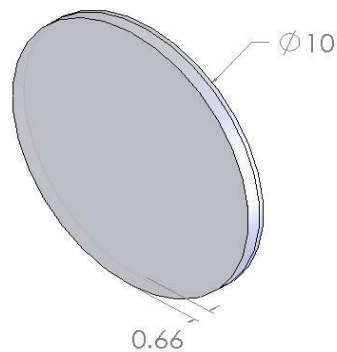
Consisting of 10.0% Yb:YAG, 10 mm dia. X 0.5 mm T , with sapphire of 10 mm dia. X 0.16 mm T bonded to one side.

Dopant Type, Concentration	10.0% Yb:YAG
Cross-Section (mm)	10 mm dia
Length (mm)	0.66 mm L
Doped Length (mm)	0.5 mm L
Undoped Length	0.16 mm L
End-Face Configuration	Flat/Flat
Side Specifications	Fine Ground
Quantity	One
Status	In-Stock

## Coating

None

## Diagram





Part #040215  
**AFB(R) 1.0% Nd:YAG/  
Undoped YAG Disk**  
10 mm dia. X 1.5 mm T

## Specifications

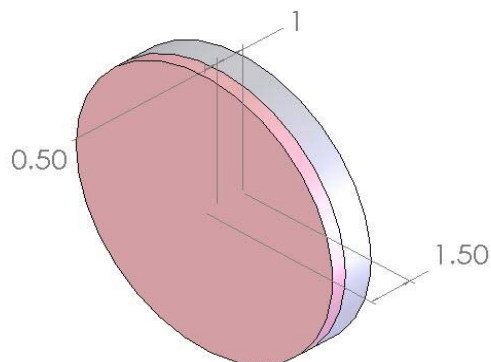
Consisting of 1.0% Nd:YAG, 10 mm dia. X 0.5 mm T , with undoped YAG of 10 mm dia. x 1.0 mm T bonded to one side.

Dopant Type, Concentration	1.0% Nd:YAG
Cross-Section (mm)	10 mm dia
Length (mm)	1.5 mm L
Doped Length (mm)	0.5 mm L
Undoped Length	1.0 mm L
End-Face Configuration	Flat/Flat
Side Specifications	Fine Ground
Quantity	Two
Status	In-Stock

## Coating

None

## Diagram





Part #040230  
**AFB<sup>®</sup> 1.3% Nd:YAG /  
Cr4+:YAG Laser Disks**  
Dimensions TBD

## Specifications

Consisting of 1.3% Nd:YAG / Cr4+:YAG  
Final dimensions may be determined by customer. Please contact us to provide your requested specifications (reference part #040230).

Dopant Type, Concentration	1.3% Nd:YAG / Cr4+:YAG
Quantity	Three
Status	In-Stock

## Coating

Please specify



Part #040232  
**AFB<sup>®</sup> 1.3% NdCe:YAG /  
Cr4+:YAG Laser Disks**  
Dimensions TBD

## Specifications

Consisting of 1.3% NdCe:YAG / Cr4+:YAG  
Final dimensions may be determined by customer. Please contact us to provide your requested specifications (reference part #040232).

Dopant Type, Concentration	1.3% NdCe:YAG / Cr4+:YAG
Quantity	Three
Status	In-Stock

## Coating

Please specify